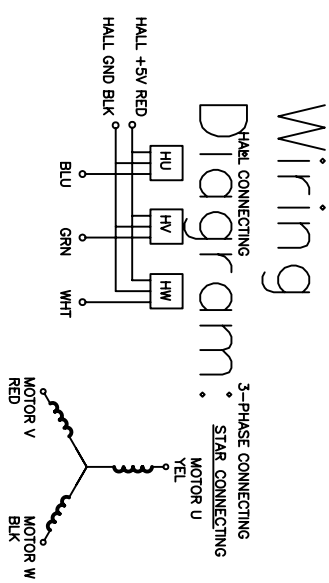
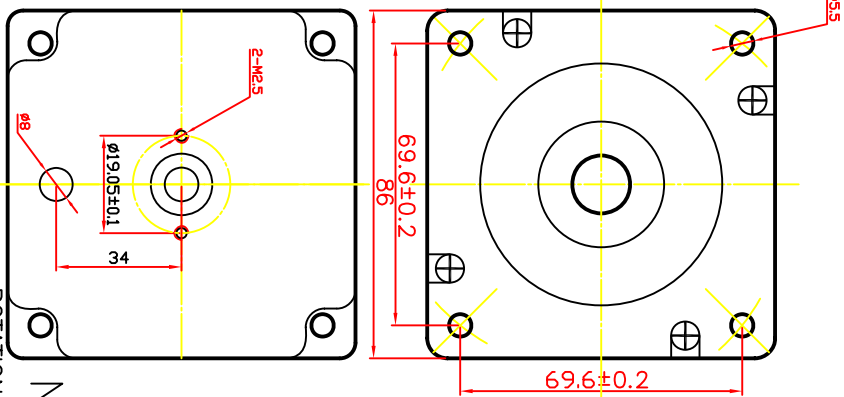
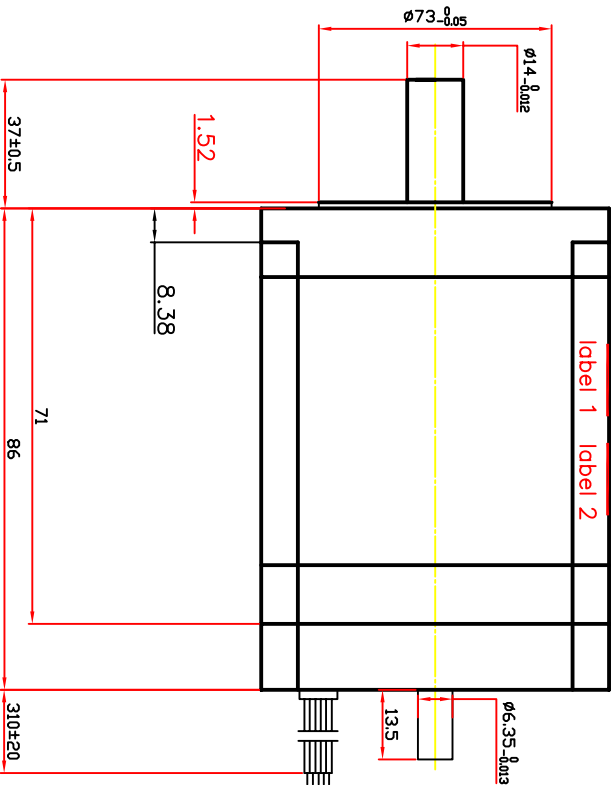


Dimension:



FL86BLS71-48V-30220B-3
48VDC 3000RPM CE
Rated Power 220W
Lot No. XXXX

Manufacturer: Changzhou Fulling Motor
Add: 7# Kunlun Road, Changzhou, China
Brand: Fulling

NOTE: STAINLESS STEEL BEARING

NUMBER OF POLE	8 POLES						
LINE TO LINE RESISTANCE	0.34ohms±10%(AT 25VC)						
LINE TO LINE INDUCTANCE	1mH±20%(AT 1KHz)						
NOMINAL VOLTAGE	48VDC						
ROTOR INERTIA	0.8kg.cm ²						
WEIGHT	2.12kg						
CONNECTING MODEL	STAR						
N.OLOAD SPEED	3750RPM±10%						
N.OLOAD CURRENT	0.95A(REF)						
RATED TORQUE	0.7N.m						
RATED SPEED	3000RPM±10%						
PEAK TORQUE	2.1N.m						
PEAK CURRENT	20A						
TORQUE CONSTANT	0.107N.m/A±10%						
BACK EMF	9Vrms /K RPM±10%						
INSULATION RESISTANCE	500VDC, >=100Mohms						
HIPOT TESTING BETWEEN WINDING & HOUSING	600VAC, 1S, 2mA						
HIPOT TESTING BETWEEN HOUSING PARTS	300VAC, 1S, 2mA						
INSULATION CLASS	B						
WIRE DIAGRAM							
UL1332 AWG22#	AWM3135 AWG16#						
HALL +5V	HALL V	HALL W	HALL GND	MOTOR U	MOTOR V	MOTOR W	
RED	BLU	GRN	WHT	BLK	YEL	RED	BLK

REV	ECN	NO	DESCRIPTION
			UNLESS OTHERWISE SPECIFIED
			TOLERANCES:
			DECIMALS: ANGULAR:
			.X ±0.5 ±0.30°
			.XX ±0.25 ±0.1
			.XXX ±0.1 UNIT: mm
			DD NDT SCALE DRAWING

REV	ECN	NO	DESCRIPTION	DRN	APP'D	DATE
			MATERIAL			
			FIRST ANGLE PROJECTION			
			CHECK			
			APP'D			
			SCALE			
			SHEET			
			DF			

REV	ECN	NO	DESCRIPTION	DRN	APP'D	DATE
			CHECK			
			APP'D			
			SCALE			
			SHEET			
			DF			

ROTATION: CCW VIEWED FROM THE OUTPUT SHAFT				ROTATION: CW VIEWED FROM THE OUTPUT SHAFT			
SENSOR OUTPUT	H1	H2	H3	PHU	PHV	PHW	PHW
	1	1	0	X	HIGH	LOW	HIGH
	1	0	0	HIGH	X	LOW	HIGH
	1	0	1	HIGH	LOW	X	HIGH
	0	0	1	X	LOW	HIGH	HIGH
	0	1	1	LOW	X	HIGH	LOW
	0	1	0	LOW	HIGH	X	LOW
	0	0	1	LOW	HIGH	X	LOW

TITLE	SPECIFICATIONS
USED DN:	FL86BLS71-48V-30220B-3
DWG NO:	FX3.162. SS
REV	

FULLING MOTOR