



Lifting Columns

Self Supporting, Compact and Versatile Linear Motion for
Quicker Throughput, Minimal Downtime and No Maintenance

New! Now Available in Three Models – Each with Unique Features

Introducing the Thomson Lifting Column Product Family

Thomson Lifting Columns are self-supporting and height adjustable lifting solutions in a compact, pre-aligned package, perfect for medical and ergonomic applications requiring telescopic motion. Simple, one-step installation requires minimal downtime and maintenance-free operation ensures worry-free functionality.

These columns are designed for smooth, quiet and fast operation and offer an excellent extension to retraction ratio resulting in the maximum range of motion in a minimal footprint.

Thomson lifting columns are designed to be flexible linear motion solutions based on anodized extruded aluminum profiles which slide into each other. A high moment load capacity, large holding capacity to frame size ratio, and the ability to use a single unit for a center load or multiple units linked together allow for numerous design configurations.

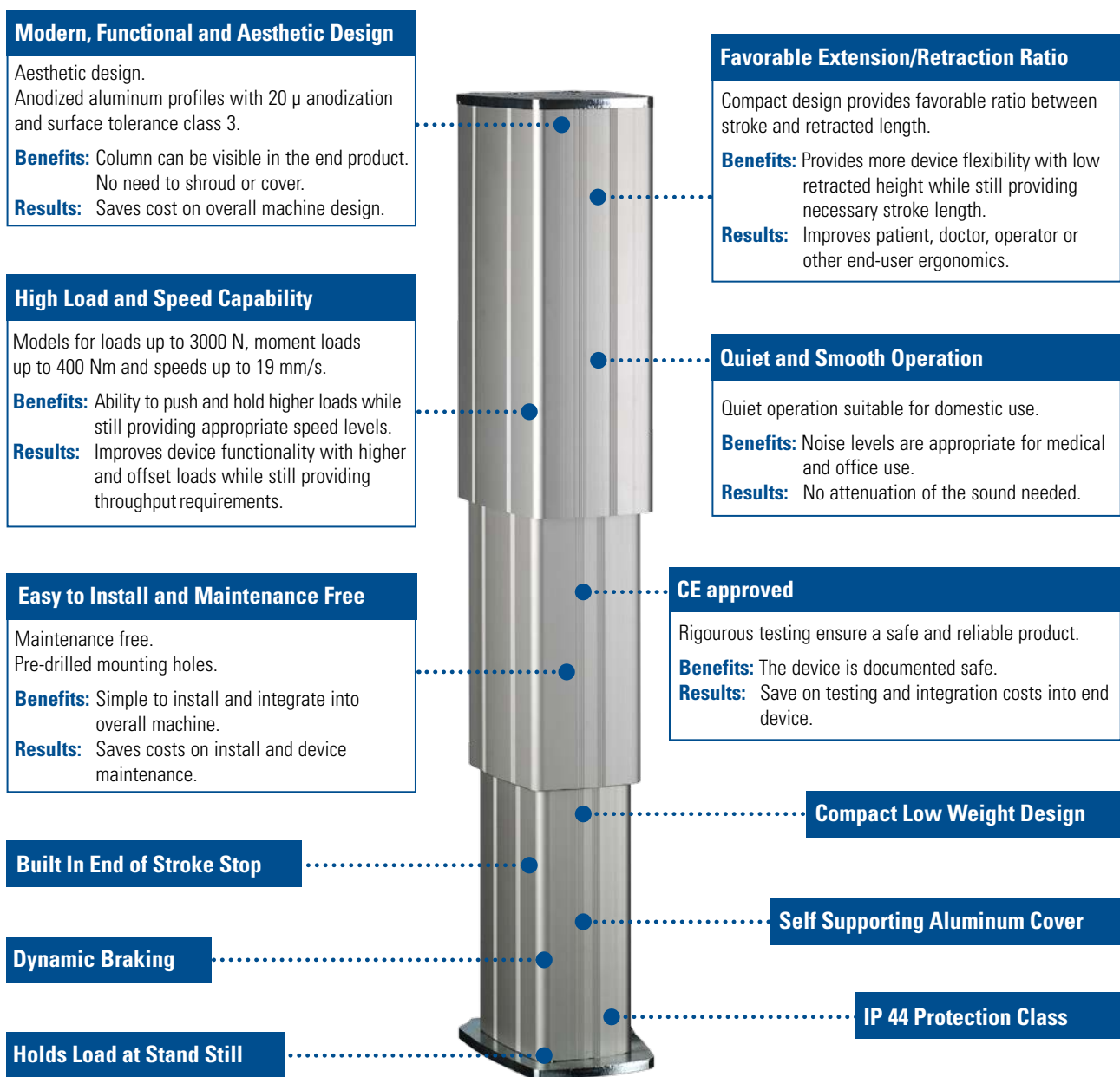
Thomson lifting columns can also be customized for more specific requirements. The result is a self-supporting, compact, and versatile lifting solution.



Features and Benefits




Three different lifting column modules are now available from Thomson, all sharing the same basic design and functionality. All models feature easy installation, maintenance-free operation, and a high moment load capacity. Though each model has its own unique advantages, the basic features and benefits are the same.

Common Thomson Lifting Columns Features



Model Comparison

The Thomson Lifting Column product family has three different models that are all made of self-supporting extruded aluminum profiles that are easy to install and require no additional cover for protection. The type of model that is most appropriate depends on the balance that is needed among extension-to-retraction ratio, load capacity, speed and cost.


Model Comparison			
	LC1600	LC2000	LC3000
Model			
Description	Two-piece extrusion with 1600 N loading capacity ideal for cost-sensitive applications where extension-to-retraction ratio is not as critical.	Three-piece extrusion with 2000 N loading capacity and a telescoping leadscrew mechanism to provide an ideal extension-to-retraction ratio.	Three-piece extrusion with ballscrew drive mechanism to allow for 3000 N loading capacity and high moment loading.
Screw type	Trapezoidal screw	Telescopic lead screw	Ball screw
Weight	Best	Good	Good
Quiet operation	Best	Good	Good
Extension/retraction ratio	Good	Best	Better
Minimum retracted length	Good	Best	Better
Load capacity	Good	Better	Best
Load torque capacity	Good	Good	Best
Duty cycle	Good	Best	Good
Speed	Better	Best	Good
Mid stroke overload protection	Yes	No *	No *

* Mid-stroke overload protection available with use of DCG Control.

Applications

Thomson lifting columns feature easy installation, maintenance-free operation, high moment load capacity and extension to retraction ratio making them especially suited for medical and ergonomic applications. The versatility, flexibility, and customizability of the Thomson lifting columns make them ideal for numerous applications within these categories.

Medical Applications	
Hospital Equipment	Accessibility Equipment
 <ul style="list-style-type: none"> • X-ray machines • Operating/examination tables • Hospital beds and patient lift 	 <ul style="list-style-type: none"> • Wheel chair lifts • Lifting aids • Handicap adaptation of vehicles
<p>Thomson lifting columns provide simple and effective solutions for medical lifting applications such as medical tables, wheelchairs, lifts, patient beds and similar applications.</p>	
<p>Simple, all-in-one solution.</p>	
<p>Allows for minimal table height while maintaining necessary stroke length.</p>	
<p>Meets materials requirements for medical applications.</p>	
<p>Meets medical 60601 certification requirements.</p>	
<p>Meets audible noise requirements (CE Standards).</p>	
<p>Aesthetic design - no need to shroud or cover.</p>	

Ergonomic Automation Solutions	
Furniture	Adjustable Chairs
 <ul style="list-style-type: none"> • Desks and workbenches • Tables • Beds 	 <ul style="list-style-type: none"> • Dental chairs • Barber chairs • Make up chairs
<p>Easily install a low-cost ergonomic solution to increase operator comfort and productivity in numerous office scenarios such as adjustable tables, desks, carts, workstations and more.</p>	
<p>Easy, one-step install.</p>	
<p>Low cost solution.</p>	
<p>Increase productivity and throughput.</p>	
<p>Reduce workplace injuries.</p>	
<p>Customizable solution.</p>	
<p>Aesthetic design - no need to shroud or cover.</p>	

LC1600 - Specifications



Standard Features and Benefits

- For medical and ergonomic automation applications
- Self supporting column in extruded anodized aluminum
- Low weight and extremely quiet operation
- Thomson Whispertrak™ drive technology
- High load torque capability
- Maintenance free
- Dynamic braking and load holding brake
- Electronic limit switches and mid-stroke protection

General Specifications

Parameter	LC1600
Screw type	trapezoidal
Internally restrained	yes
Manual override	no
Dynamic braking	yes
Holding brake	yes
End of stroke protection	electronic limit switches (ELS)
Mid stroke protection	yes
Motor protection	no
Motor connection	cable
Motor connector LX version NX and NE versions	flying leads Molex 8 pin plug
Certificates	CE
Options	ELS encoder position feedback
Compatible controls ⁽¹⁾ DCG-154 DCG-254	operation of single unit synchronous operation of two units

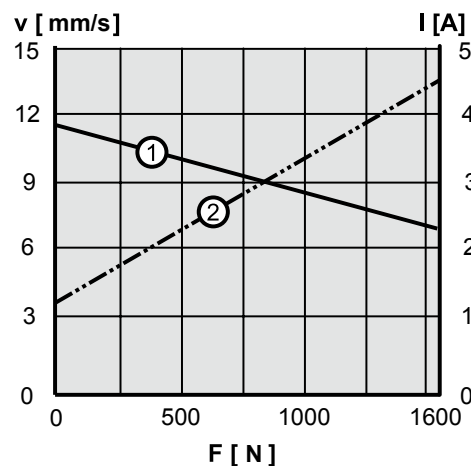
(1) See page 14 for more information.

Performance Specifications

Parameter	LC1600
Maximum load [N]	1600
Maximum load torque, dynamic / static [Nm]	200 / 500
Speed, at no load / at maximum load [mm/s]	11 / 6.5
Available input voltages [VDC]	24
Standard stroke lengths (S) [mm]	200, 250, 300, 350, 400
Operating temperature limits [°C]	0 to +40
Full load duty cycle @ 20 °C [%]	10
Maximum on time [s]	60
Maximum sound level [dB]	45
Lead cross section [mm ²]	1.5
Standard cable length [mm] LX version NX and NE versions	900 1900
Protection class	IP44

Performance Diagram

Speed and Current vs. Load

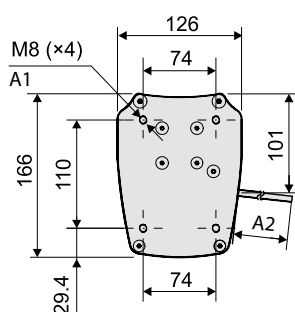
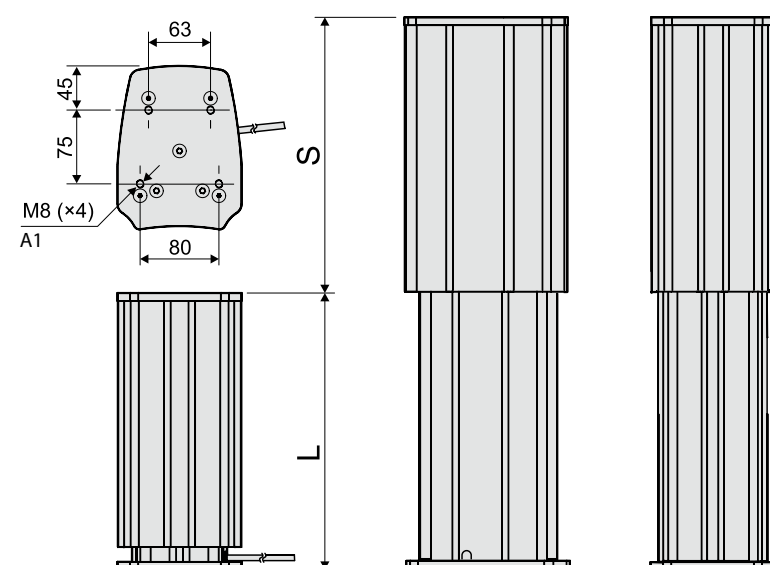


V: speed I: current F: load

1: speed
2: current

LC1600 - Dimensions and Performance

Dimensions	Projection
METRIC	



S: stroke
 L: retracted length
 A1: mounting screws must not enter deeper than 10 mm.
 A2: LX version cable length = 900 mm, NX and NE versions = 1900 mm.

Ordering Stroke, Retracted Length and Weight

The desired ordering stroke (S) will determine the minimum retracted length (L min) and the weight of the unit. The table provides the corresponding minimum retracted length (L min) and weight values to each of the available standard stroke lengths (S).

Stroke, retracted length and weight relationship						
Ordering stroke (S)	[mm]	200	250	300	350	400
Minimum retracted length (L min)	[mm]	380	430	480	581	631
Weight of unit	[kg]	9.1	9.8	10.5	11.8	12.4

LC2000 - Specifications



Standard Features and Benefits

- For medical and ergonomic automation applications
- Self supporting column in extruded anodized aluminum
- Low weight and quiet operation
- Smooth operating telescopic lead screw drive
- High load torque capability
- Very short retracted length
- High extension to retraction ratio
- Maintenance free
- Load holding brake
- Integrated end of stroke limit switches
- EMC recognized for medical applications

General Specifications

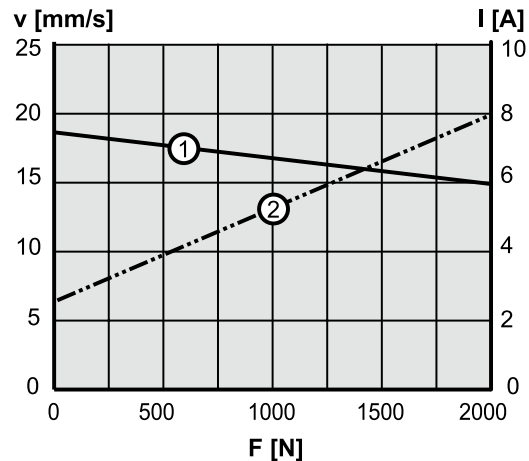
Parameter	LC2000
Screw type	telescopic lead screw
Internally restrained	yes
Manual override	no
Dynamic braking	no ⁽¹⁾
Holding brake	yes
End of stroke protection	end of stroke limit switches
Mid stroke protection	no ⁽¹⁾
Motor protection	no ⁽¹⁾
Motor connection	cable
Motor connector	Molex 8 pin plug
Certificates	CE EMC for medical applications ⁽²⁾
Options	encoder position feedback
Compatible controls ⁽³⁾	
DCG-180	operation of single unit
DCG-280	synchronous operation of two units

Performance Specifications		LC2000
Parameter		
Maximum load	[N]	2000
Maximum load torque, dynamic / static	[Nm]	150* / 500
Speed, at no load / at maximum load	[mm/s]	19 / 15
Available input voltages	[VDC]	24
Minimum ordering stroke (S)	[mm]	200
Maximum ordering stroke (S)	[mm]	600
Operating temperature limits	[°C]	0 to +40
Full load duty cycle @ 20 °C	[%]	15
Maximum on time	[s]	60
Lead cross section	[mm ²]	1.5
Standard cable length	[mm]	1900
Protection class		IP44

* Higher dynamic loads up to 400 Nm available upon request, contact customer support.

Performance Diagram

Speed and Current vs. Load



V: speed I: current F: load
1: speed
2: current

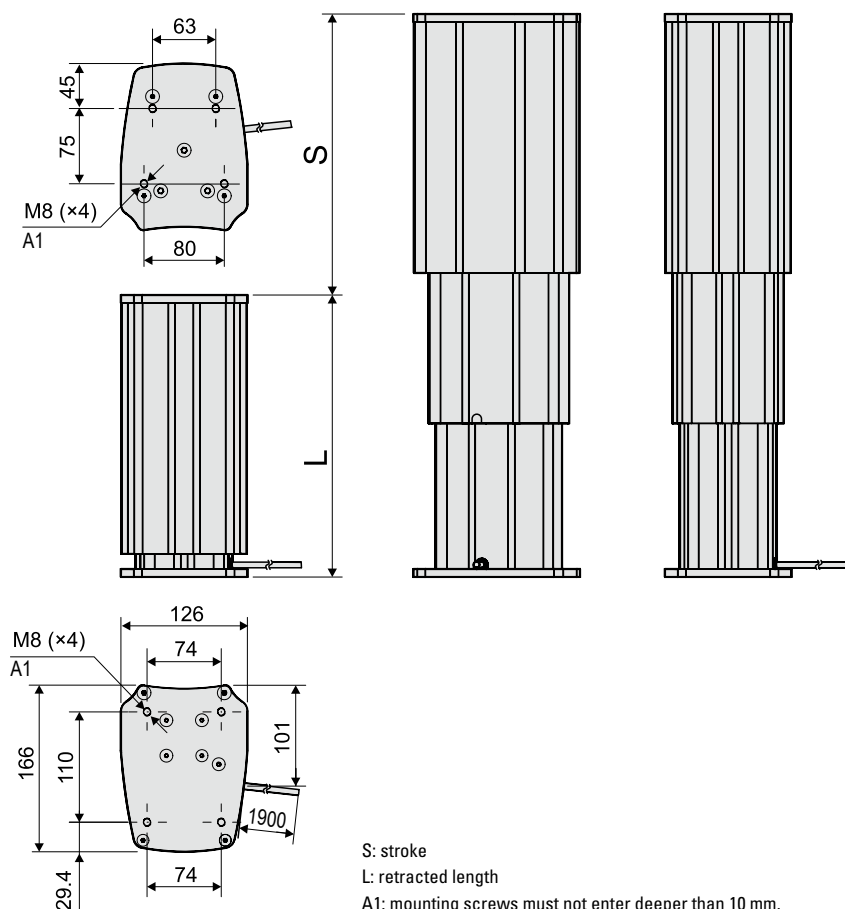
(1) Dynamic braking, mid-stroke protection, and motor protection are provided when used with DCG control.

(2) Emission: EN 61000-6-3:2001, EN 60601-1-2:1993, EN 55011 Class B
Immunity: EN 61000-6-2:2001, EN 61000-4-2, EN 61000-4-3

(3) See page 14 for more information.

LC2000 - Dimensions and Performance

Dimensions	Projection
METRIC	



Ordering Stroke, Retracted Length and Weight

The desired stroke (S) will determine the minimum retracted length (L min) and the weight of the unit. Units can be built with a retracted length (L) between the calculated L min value and maximum retracted length.

Stroke, retracted length and weight relationship		
	Minimum	Maximum
Stroke (S) [mm]	200	600
Retracted length (L) [mm]	250 or L min	441
Min. retracted length (L min) based on stroke (S) [mm]	$L \text{ min} = (S + 282) / 2$	
Weight of unit based on stroke (S) [kg]	$\text{Weight} = 3.4 + L \text{ [mm]} \times 0.0203 + S \text{ [mm]} \times 0.001$	

The table below provides examples of stroke lengths and their corresponding minimum retracted length (L min) values.

Examples of strokes and the resulting minimum retracted length and weight										
Stroke (S) [mm]	200	250	300	350	400	450	500	550	600	
Minimum retracted length (L min) [mm]	250	266	291	316	341	366	391	416	441	
Weight [kg]	8.7	9.1	9.7	10.2	10.8	11.3	11.9	12.4	13	

LC3000 - Specifications



Standard Features and Benefits

- For medical and ergonomic automation applications
- Self supporting column in extruded anodized aluminum
- Low weight and quiet operation
- Smooth operating ballscrew drive
- High load torque capability
- Short retracted length
- Maintenance free
- Load holding brake
- Integrated end of stroke limit switches

General Specifications

Parameter	LC3000
Screw type	ball screw
Internally restrained	yes
Manual override	no
Dynamic braking	no ⁽¹⁾
Holding brake	yes
End of stroke protection	end of stroke limit switches
Mid stroke protection	no ⁽¹⁾
Motor protection	no ⁽¹⁾
Motor connection	cable
Motor connector	Molex 8 pin plug
Certificates	CE
Options	encoder position feedback
Compatible controls ⁽²⁾	operation of single unit synchronous operation of two units

(1) Dynamic braking, mid-stroke protection, and motor protection are provided when used with DCG control.

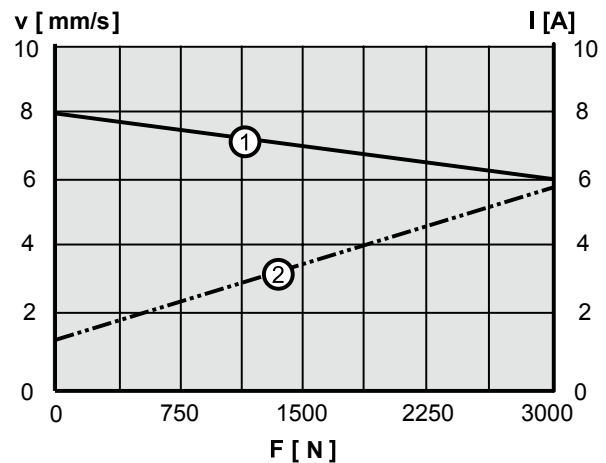
(2) See page 14 for more information.

Performance Specifications

Parameter	LC3000
Maximum load [N]	3000
Maximum load torque, dynamic / static [Nm]	400 / 500
Speed, at no load / at maximum load [mm/s]	8 / 6
Available input voltages [VDC]	24
Minimum ordering stroke (S) [mm]	200
Maximum ordering stroke (S) [mm]	400
Operating temperature limits [°C]	0 to +40
Full load duty cycle @ 20 °C [%]	10
Maximum on time [s]	60
Lead cross section [mm ²]	1.5
Standard cable length [mm]	1900
Protection class	IP44

Performance Diagram

Speed and Current vs. Load

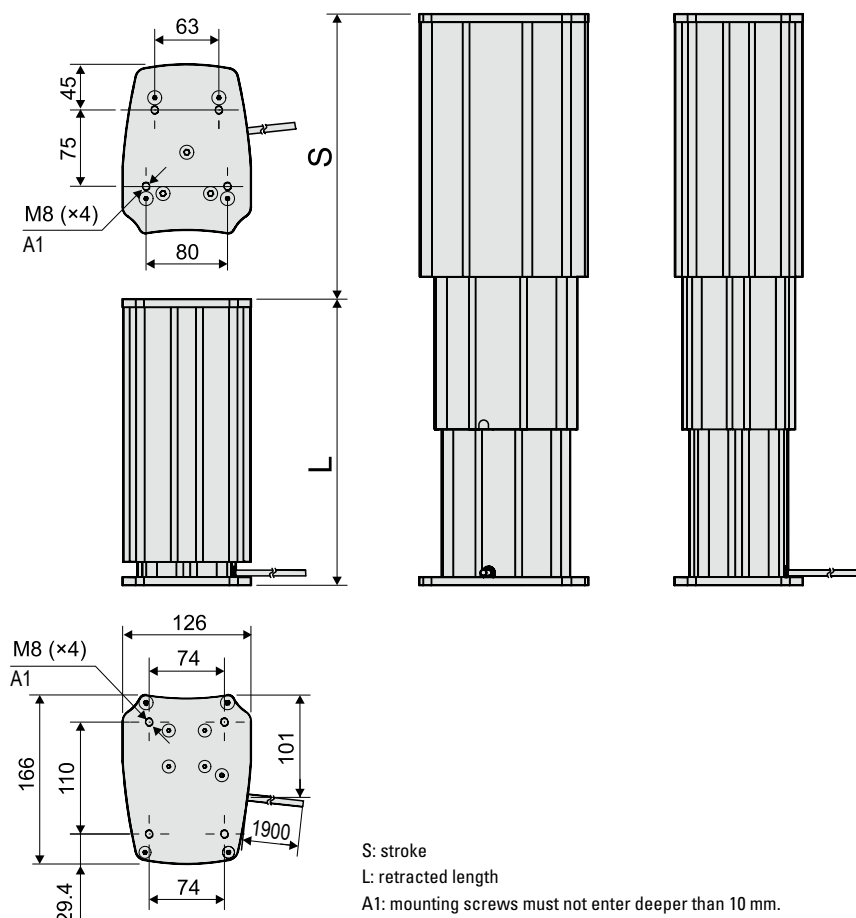


V: speed I: current F: load

1: speed
2: current

LC3000 - Dimensions and Performance

Dimensions	Projection
METRIC	



Ordering Stroke, Retracted Length and Weight

The desired stroke (S) will determine the minimum retracted length (L min) and the weight of the unit. Units can be built with a retracted length (L) between the calculated L min value and maximum retracted length.

Stroke, retracted length and weight relationship		
	Minimum	Maximum
Stroke (S) [mm]	200	400
Retracted length (L) [mm]	330 or L min	530
Min. retracted length (L min) based on stroke (S) [mm]	L min = S + 130	
Weight of unit based on stroke (S) [kg]	Weight = 4.065 + ((0.01774 × L [mm]) - 0.6031) + (S [mm] + 70) × 0.0012	

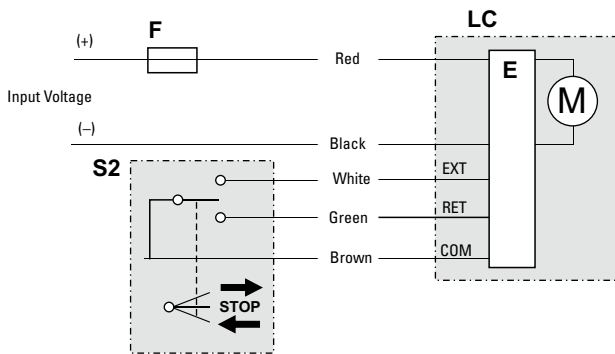
The table below provides examples of stroke lengths and their corresponding minimum retracted length (L min) values.

Examples of strokes and the resulting minimum retracted length and weight						
Stroke (S) [mm]	200	250	300	350	400	
Minimum retracted length (L min) [mm]	330	380	430	480	530	
Weight [kg]	9.7	10.6	11.6	12.5	13.5	

Wiring Diagrams

LC1600

With electronic limit switches (LX)



The direction of the extension tube travel is controlled by switching the COM (common) output to the EXT (extend) or RET (retract) inputs.

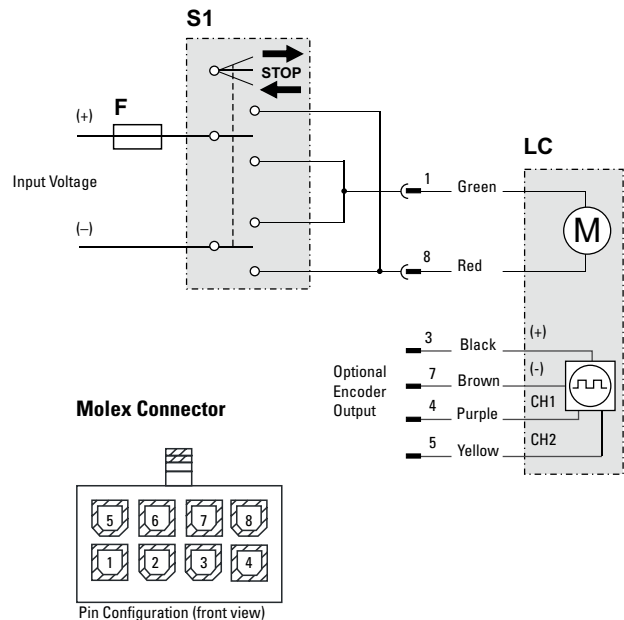
The actuator will automatically switch off when reaching the ends of stroke or a mid-stroke overload.

With encoder feedback (NE) or with no feedback options (NX)

For the LC1600, only use the NE and NX versions with the DCG control. See page 14 for DCG control compatibility, technical data and ordering information.

LC2000 and LC3000

Standard (NX) or with encoder feedback option (NE)



- LC Lifting column
- M Lifting column motor
- E Electronic limit switches
- S1 Double pole double throw (DPDT) switch (provided by the customer)
- S2 Single pole double throw (SPDT) switch
- F Fuse (provided by the customer)

Connect the green lead (pin 1) to positive and the red (pin 8) to negative to extend the lifting column. Change polarity to retract the lifting column.

LC2000 and LC3000 are provided with internal limit switches. No external wiring is required for these switches.

The encoder version (NE) is optional and would be used when feedback is required or when synchronization of multiple units is necessary. If in use it should be supplied with 5 - 18 Vdc on black (pin 3) and brown (pin 7) leads and the two encoder channels are generated on purple (pin 4) and yellow (pin 5).

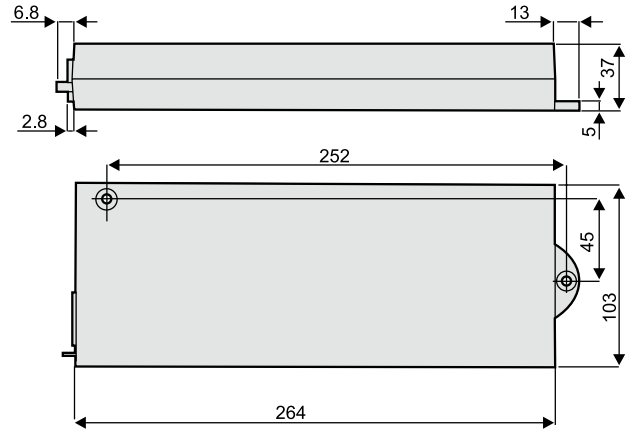
Ordering Keys

LC1600 Ordering Key					
Position	1	2	3	4	5
Example	LC1600	N	24	-300480	NX
1. Lifting column model LC1600 = LC1600		3. Supply voltage 24 = 24 VDC		5. Connection, electronic limit switches and encoder options LX = Cable (L = 900 mm), flying leads, electronic limit switches NE = Cable (L = 1900 mm), Molex connector, encoder feedback ⁽¹⁾ NX = Cable (L = 1900 mm), Molex connector, no encoder feedback ⁽²⁾	
2. Type N = standard		4. Stroke and retracted length -200380 = 200 and 380 mm -250430 = 250 and 430 mm -300480 = 300 and 480 mm -350580 = 350 and 581 mm -400630 = 400 and 631 mm		(1) Encoders are used when synchronizing multiple units. This option may only be used in conjunction with the DCG-254 control. (2) This option may only be used in conjunction with the DCG-154 control.	

LC2000 Ordering Key					
Position	1	2	3	4	5
Example	LC2000	N	24	-400341	NX
1. Lifting column model LC2000 = LC2000		3. Supply voltage 24 = 24 VDC		5. Connection and encoder options NE = Cable (L = 1900 mm), Molex connector, encoder feedback ⁽²⁾ NX = Cable (L = 1900 mm), Molex connector, no encoder feedback	
2. Type N = standard		4. Stroke and retracted length -400341 = 400 and 341 mm ⁽¹⁾		(1) This is just an example, see section Ordering Stroke, Retracted Length and Weight on page 9 for directions on how to calculate this number. (2) Encoders are used when synchronizing multiple units.	

LC3000 Ordering Key					
Position	1	2	3	4	5
Example	LC3000	N	24	-400530	NX
1. Lifting column model LC3000 = LC3000		3. Supply voltage 24 = 24 VDC		5. Connection and encoder options NE = Cable (L = 1900 mm), Molex connector, encoder feedback ⁽²⁾ NX = Cable (L = 1900 mm), Molex connector, no encoder feedback	
2. Type N = standard		4. Stroke and retracted length -400530 = 400 and 530 mm ⁽¹⁾		(1) This is just an example, see section Ordering Stroke, Retracted Length and Weight on page 11 for directions on how to calculate this number. (2) Encoders are used when synchronizing multiple units.	

DCG Control Series



Standard Features and Benefits

- Controls available for single lifting column operation or synchronous operation of two lifting columns equipped with encoders
- Small and light weight control operated via a control pendant (ordered separately)
- Built in Electronic Limit Switches (ELS) stop the lifting column automatically at end of stroke or mid stroke stall
- No wiring is necessary to the control as all connections are done through plugs

Compatibility

Control	Lifting Column
DCG-154	Single operation of one LC1600 ⁽¹⁾
DCG-180	Single operation of one LC2000 or LC3000 ⁽¹⁾
DCG-254	Synchronous operation of two LC1600 ⁽²⁾
DCG-280	Synchronous operation of two LC2000 or LC3000 ⁽²⁾

(1) The lifting column should be equipped with the no encoder (NX) option.
 (2) Both lifting columns must be equipped with the encoder (NE) option.

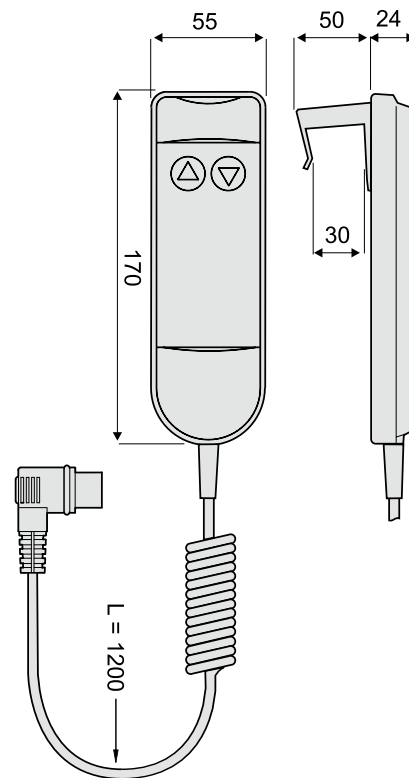
Performance Specifications

Parameter	DCG-154		DCG-180		DCG-254		DCG-280	
Input voltage [VAC]	1 × 115 ± 6%	1 × 230 ± 6%	1 × 115 ± 6%	1 × 230 ± 6%	1 × 115 ± 6%	1 × 230 ± 6%	1 × 115 ± 6%	1 × 230 ± 6%
Input frequency [Hz]	50/60	50/60	50/60	50/60	50/60	50/60	50/60	50/60
Output voltage [VDC]	24	24	24	24	24	24	24	24
Output current, max. [A]	4,8	4,8	8	8	2 × 4,8	2 × 4,8	2 × 8	2 × 8
Operating temperature limits [°C]	+5 to +45	+5 to +45	+5 to +45	+5 to +45	+5 to +45	+5 to +45	+5 to +45	+5 to +45
Max. duty cycle @ 25 °C ⁽¹⁾ [%]	10	10	10	10	10	10	10	10
Maximum on time [s]	90	90	60	60	90	90	60	60
Weight of control [kg]	0.6	0.6	0.6	0.6	1.9	1.9	1.9	1.9
Protection class	double insulated	double insulated	double insulated	double insulated	double insulated	double insulated	double insulated	double insulated
Electronic limit switches	yes	yes	yes	yes	yes ⁽²⁾	yes ⁽²⁾	yes ⁽²⁾	yes ⁽²⁾
Certificates	CE	CE	CE	CE	CE	CE	CE	CE
Part number	DCG24-1U-0154	DCG24-1M-0154	DCG24-1U-0180	DCG24-1M-0180	DCG24-2U-0254	DCG24-2M-0254	DCG24-2U-0280	DCG24-2M-0280

(1) Control will shut off if duty cycle is exceeded and automatically reset when cooled off.

(2) DCG-254 and DCG-280 monitors the encoder pulses and not the motor currents. If the pulses arrives too slowly or not at all it will stop the motion of both lifting columns.

DCG Control Pendant



Standard Features and Benefits

- Handy and light weight control pendant
- 1.2 meter long spiral cord cable
- Connects to the DCG control with a plug

Specifications

Parameter		DCG14-1H
Weight	[kg]	0.4
Cable length	[mm]	1200
Certificates		CE
Part number		DCG14-1H

EUROPE

United Kingdom

Thomson
Phone: +44 (0) 1271 334 500
Fax: +44 (0) 1271 334 501
E-mail: sales.uk@thomsonlinear.com

Germany

Thomson
Nürtinger Straße 70
72649 Wolfschlugen
Phone: +49 (0) 7022 504 0
Fax: +49 (0) 7022 504 405
E-mail: sales.germany@thomsonlinear.com

France

Thomson
Phone: +33 (0) 243 50 03 30
Fax: +33 (0) 243 50 03 39
E-mail: sales.france@thomsonlinear.com

Italy

Thomson
Largo Brughetti
20030 Bovisio Masciago
Phone: +39 0362 594260
Fax: +39 0362 594263
E-mail: info@thomsonlinear.it

Spain

Thomson
Rbla Badal, 29-31 7th, 1st
08014 Barcelona
Phone: +34 (0) 9329 80278
Fax: + 34 (0) 9329 80278
E-mail: sales.esm@thomsonlinear.com

Sweden

Thomson
Estridsväg 10
29109 Kristianstad
Phone: +46 (0) 44 24 67 00
Fax: +46 (0) 44 24 40 85
E-mail: sales.scandinavia@thomsonlinear.com

SOUTH AMERICA

Thomson
Sao Paulo, SP Brazil
Phone: +55 11 3879-6600
Fax: +55 11 3879 6656
E-mail: sales.brasil@thomsonlinear.com

USA, CANADA and MEXICO

Thomson
203A West Rock Road
Radford, VA 24141, USA
Phone: 1-540-633-3549
Fax: 1-540-633-0294
E-mail: thomson@thomsonlinear.com
Literature: literature.thomsonlinear.com

ASIA

Asia Pacific

Thomson
750, Oasis, Chai Chee Road,
#03-20, Technopark @ Chai Chee,
Singapore 469000
E-mail: sales.apac@thomsonlinear.com

China

Thomson
Rm 2205, Scitech Tower
22 Jianguomen Wai Street
Beijing 100004
Phone: +86 400 6661 802
Fax: +86 10 6515 0263
E-mail: sales.china@thomsonlinear.com

India

Thomson
1001, Sigma Building
Hiranandani Business Park
Powai, Mumbai – 400076
Phone: +91 22 422 70 300
Fax: +91 22 422 70 338
E-mail: sales.india@thomsonlinear.com

Japan

Thomson
Minami-Kaneden 2-12-23, Suita
Osaka 564-0044 Japan
Phone: +81-6-6386-8001
Fax: +81-6-6386-5022
E-mail: csinfo_dicgj@danaher.co.jp

Korea

Thomson
F12 Ilsong Bldg, 157-37
Samsung-dong, Kangnam-gu,
Seoul, Korea (135-090)
Phone: +82 2 6917 5049
Fax: +82 2 6917 5007
E-mail: sales.korea@thomsonlinear.com

www.thomsonlinear.com

Lifting_Columns_BRUK-0007-01B | 20140124 TJ

Specifications are subject to change without notice. It is the responsibility of the product user to determine the suitability of this product for a specific application. All trademarks property of their respective owners. © Thomson Industries, Inc. 2014

 **THOMSON**

Linear Motion. Optimized.™